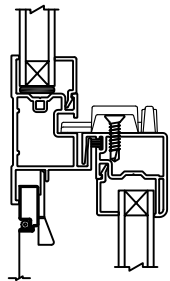
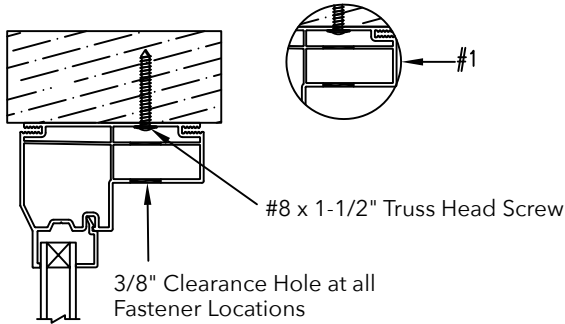


220 Installation Instructions



Finless 220 Installation Instructions:

- 5" from each corner, maximum
- Spacing on both sides and head jamb 20-1/2"
- Drill 3/8" clearance hole through vinyl wall, use # 8 x 1-1/2"
- Truss head screw along head and both side jambs caulk along sill only with 3 continuous beads of a quality exterior grade non-hardening sealant (see drawing)

