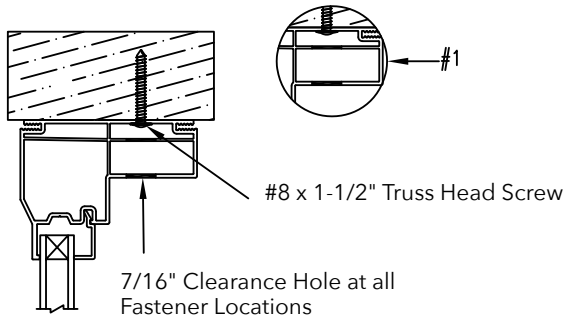


220 Installation Instructions - TDI Approved



TDI Approved Spacing Finless 220 Installation Instructions:

- 2" from each corner, maximum
- Spacing on both sides and head jamb 12"
- Drill 7/16" clearance hole through vinyl wall, use # 8 x 1-1/2"
- Truss head screw along head and both side jambs caulk along sill only with 3 continuous beads of a quality exterior grade non-hardening sealant (see drawing)

